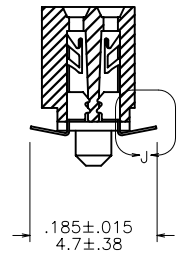
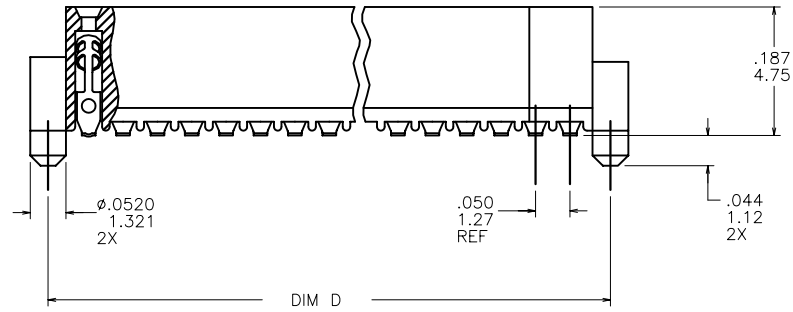
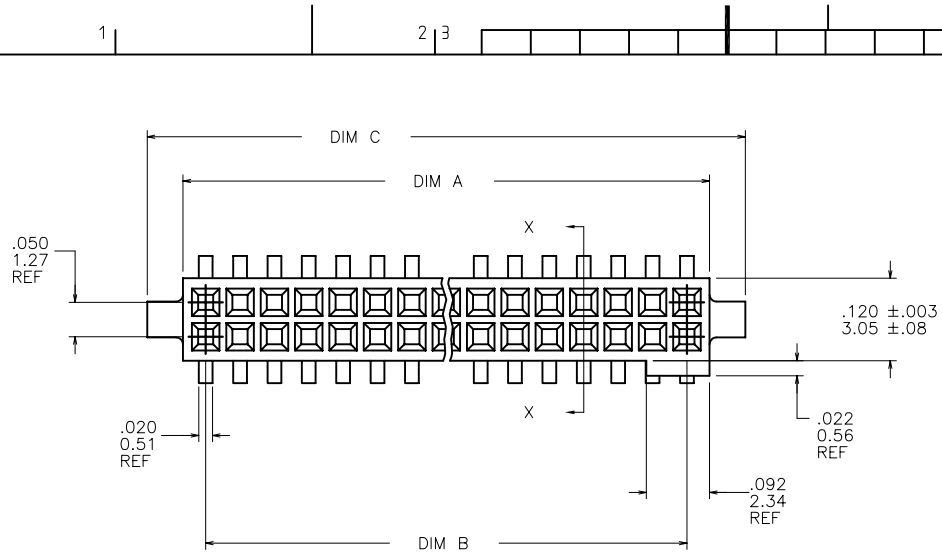
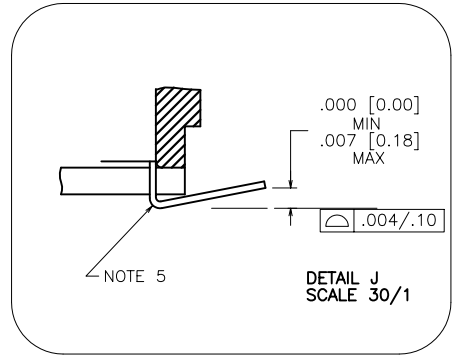


PRODUCT NUMBER
SEE TABLE



SECTION X-X



mat'l. code		surface		tolerance		projection		product family	
-		ISO 1302		ISO 406 ISO 1101				RIB CAGE	
ltr	ec'n no	dr	date	tolerances unless otherwise specified		INCH/MM		title	
V	v02780	DLW	12/01/00	angles	linear			.050cc VERT. SMT.	
W	v10994	DLW	03/09/01			scale 1:1		W/LOC. & POL. FEATURE	
X	v11674	CRG	02/28/02	σ±2'				dwg no	
Y	v20420	CRG	2/28/02	dr	M. CLOUSER			sheet 1 of 3 size	
AA	M05-0123	MHT	06/06/05	engr	B. BARUFFALO			87024	
AB	M06-0284	AEA	07/27/06	chr	B. BARUFFALO			A3	
AC	M08-0053	CMR	02/27/08	appd	B. BARUFFALO			type Product Customer Drawing	
sheet	revision	AC	AC	AC					
index	sheet	1	2	3					



Copyright FCI

PRODUCT NO. NOTE 9	SIZE	DIM A	DIM B	DIM C	DIM D	SPECIAL PACKAGING	TAPE WIDTH PITCH	PIECES PER REEL
87024-605	2 X 5	.266/6.756	.200/5.08	.370/9.398	.3200/8.128	NOTE 6	24mm 12mm	750
-610	2 X 10	.516/13.106	.450/11.43	.620/15.748	.5700/14.478	NOTE 6	24mm 12mm	750
-610P	2 X 10	.516/13.106	.450/11.43	.620/15.748	.5700/14.478	NOTE 8	24mm 16mm	500
-615	2 X 15	.766/19.456	.700/17.78	.870/22.098	.8200/20.828	NOTE 6	44mm 12mm	500
-620	2 X 20	1.016/25.806	.950/24.13	1.120/28.448	1.0700/27.178	NOTE 7	-----	
-625	2 X 25	1.266/32.156	1.200/30.48	1.370/34.798	1.3200/33.528	NOTE 6	56mm 12mm	500
-630	2 X 30	1.516/38.506	1.450/36.83	1.620/41.148	1.5700/39.878	NOTE 6 & 7	56mm 12mm	500
-635	2 X 35	1.766/44.856	1.700/43.18	1.870/47.498	1.8200/46.228	NO	-----	
-640	2 X 40	2.016/51.206	1.950/49.53	2.120/53.848	2.0700/52.578	NOTE 6 & 7	56mm 12mm	500
-645	2 X 45	2.266/57.556	2.200/55.88	2.370/60.198	2.3200/58.928	NO	-----	
87024-650	2 X 50	2.516/63.906	2.450/62.23	2.620/66.548	2.5700/65.278	NOTE 7	-----	
87024-605LF	2 X 5	.266/6.756	.200/5.08	.370/9.398	.3200/8.128	NOTE 6	24mm	750

NOTES:

- HOUSING MATERIAL:
LCP GLASS FILLED FLAME RETARDANT PER UL 94V-0
COLOR: BLACK
- TERMINAL MATERIAL: BeCu
- TERMINAL PLATING:
30u"/.76u MIN HARD GOLD OVER Ni ON CONTACT ZONES,
100u"/2.54u MIN TIN LEAD OVER Ni IN SOLDERING ZONES,
OTHERWISE GOLD FLASH OR UNPLATED.
LEAD FREE OPTION:
30u"/.76u MIN HARD GOLD OVER Ni ON CONTACT ZONES,
100u"/2.54u MIN TIN OVER Ni IN SOLDERING ZONES,
OTHERWISE GOLD FLASH OR UNPLATED.
- APPLICATION INFORMATION:
A. RECOMMENDED MOUNTING PAD PATTERN IS
SHOWN IN FIGURE "A".
B. MATING PINS TO BE .0176/-.447 TO .0181/-.459 DIA.
C. MATING PIN TIPS TO BE IN TRUE POSITION TO MATING
GRID WITHIN .006/-.15 DIA.
D. SUGGESTED MATING PIN LENGTH .130/3.30
±.010/-.25.
5. LEAD TIPS TO BE ABOVE HEEL, UP TO .007/0.18 MAX.
COPLANARITY TO BE MEASURED AT LOWEST POINT (HEEL).
6. ADD "TR" TO END OF DASH NUMBER FOR TAPE AND
REEL PACKAGING WITH CAP.
TOOLED ONLY FOR NOTED CONNECTORS.
7. ADD "CT" TO END OF DASH NUMBER FOR CONNECTOR WITH CAP FOR
VACUUM PICKUP IN TUBE.
8. CUSTOMER SPECIAL, TAPE AND REEL PACKAGING, TOOLED
ONLY FOR NOTED CONNECTOR.
9. ADD "LF" SUFFIX AT THE END OF PART NUMBER FOR LEAD FREE OPTION.
10. IF LF P/N THE PRODUCT MEETS EUROPEAN UNION DIRECTIVES AND OTHER
COUNTRY REGULATION AS DESCRIBED IN GS-22-008.
11. THE HOUSING WILL WITHSTAND EXPOSURE TO 260°C PEAK TEMPERATURE
FOR 20 SECONDS IN A CONVECTION, INFRA-RED OR VAPOR PHASE REFLOW
OVEN. SEE APPLICATION NOTES/PROCEDURES IF THEY ARE AVAILABLE.

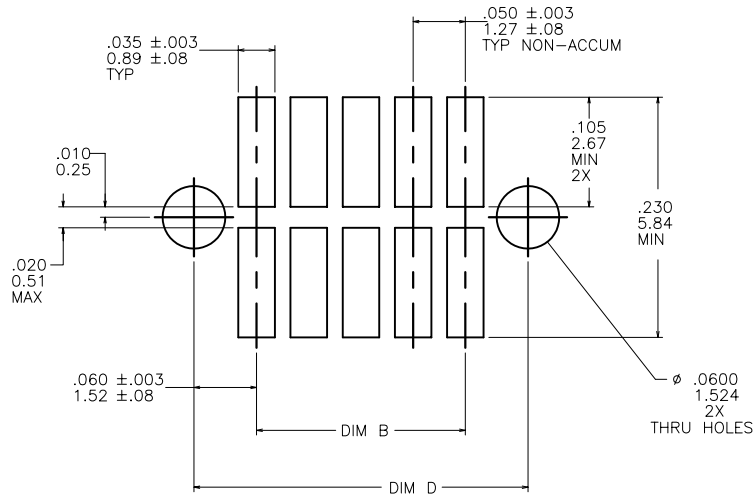


FIGURE A
RECOMMENDED
P.C.B. LAYOUT

mat'l. code		surface		tolerance		projection		product family	
-		ISO 1302		ISO 406		ISO 1101		RIB CAGE	
ltr	ecr no	dr	date	tolerances unless otherwise specified		INCH/MM		title	
AC				angles	linear	xx ±.01/.3	scale 1:1	.050cc VERT. SMT.	
				σ±2'		xxx ±.005/.13		W/LOC. & POL. FEATURE	
						xxxx ±.0020/.050		dwg no	
				dr	M. CLOUSER	6/26/91	sheet 2 of 3		size
				engr	B. BARUFFALO	6/26/91	87024		A3
				chr	B. BARUFFALO	6/26/91	type		Product Customer Drawing
				appd	B. BARUFFALO	6/26/91			
sheet	revision								
index	sheet								

1

2 3

4

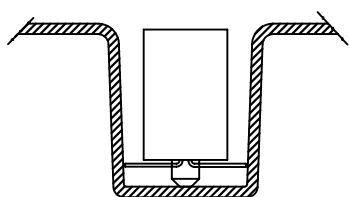
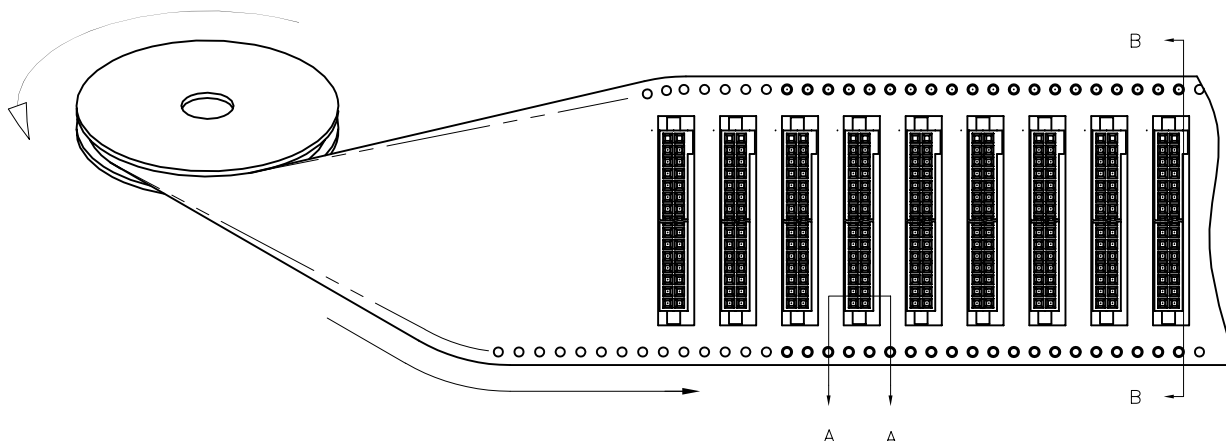
5

6

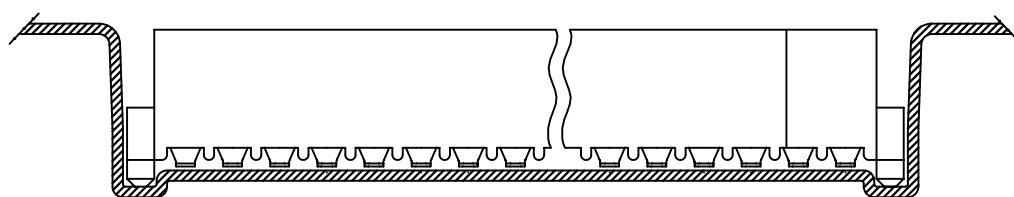
REFERENCE ONLY

UNREELING DIRECTION

TAPE WIDTH'S 32mm AND ABOVE HAS BOTH FEED TRACKS, BELOW 32mm HAS TOP FEED TRACK ONLY.



SECTION A-A



SECTION B-B

FCJ
FCconnect.com

Copyright FCJ

mat'l. code		surface		tolerance		projection		product family		
-		ISO 1302		ISO 406 ISO 1101				RIB CAGE		
ltr	ecn no	dr	date	tolerances unless otherwise specified						
AC				angles	linear	xx ±.01/.3	INCH/MM		title	
				σ±2'		xxx ±.005/.13	scale 1:1		.050cc VERT. SMT.	
						xxxx ±.0020/.050			W/LOC. & POL. FEATURE	
				dr	M. CLOUSER	6/26/91			dwg no	
				enr	B. BARUFFALO	6/26/91			87024	sheet 3 of 3 size
				chr	B. BARUFFALO	6/26/91			A3	
				appd	B. BARUFFALO	6/26/91			type	Product Customer Drawing
sheet	revision									
index	sheet									

form A3

1

2

3

4

5

6